



Mercedes-Benz

Pret vehicul

| | Amount in EUR |
|------------------------------|---------------|
| Pret vehicul de baza: | |
| Pret culoare: | -.- |
| Pret anvelope: | -.- |
| Pret echipament special: | |
| Pret echipament suplimentar: | -.- |
| Pret vehicul fara TVA | 48.018 |



Mercedes-Benz

Date tehnice

Dimensiuni si greutate

| Tip vehicul | |
|-----------------|---------|
| Tip vehicul | AVG/L |
| Formula rotilor | 4X2 |
| Ampatament | 3200 mm |

| Masa vehicul (kg) | |
|--|---------|
| 1. Axa fata (gol) | 1355 kg |
| 2. Axa fata (gol) | 0 kg |
| 1. Axa spate (gol) | 1168 kg |
| 2. Axa spate (gol) | 0 kg |
| Total la gol inclusive dotari suplimentare | 2524 kg |
| Sarcina utila | 526 kg |
| Masa totala | 3050 kg |
| Masa maxima admisa in autotren | 5050 kg |

| Data tehnice motor | MG3 |
|----------------------------|-----------|
| Cilindree cm ³ | 2143 |
| Putere max. kW / HP | 120 / 163 |
| Cuplu max. NM at 1900 /min | 376.9 |

| Anvelope | |
|-----------|---------------------------|
| 1st Axle: | 2x RH4 - Tyres 245/45 R18 |
| 2nd Axle: | 2x RH4 - Tyres 245/45 R18 |

Masa la gol cu sofer, scule, Protectie antiimpanare (fata/spate), roata rezerva, 90% din total rezervor plin

| Lungime structura | |
|--------------------------------------|------|
| Cu maxim consola spate | 0 mm |
| Centru de greutate min. - ultima axa | |
| Centru de greutate max. - ultima axa | |

| Cutie viteze | |
|--------------|----------------|
| Cutie viteze | G42 |
| Text scurt | 7G-TRONIC PLUS |

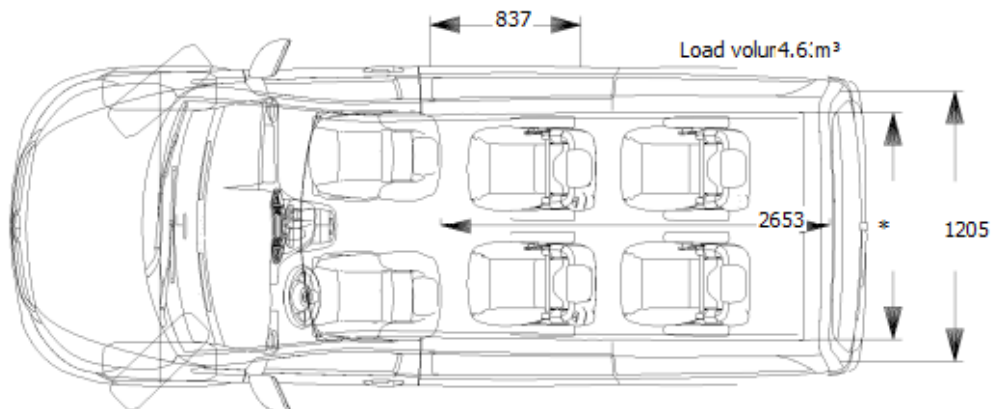
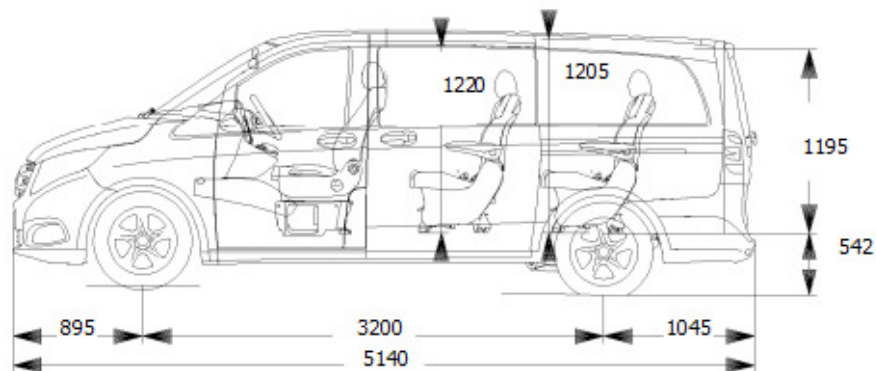
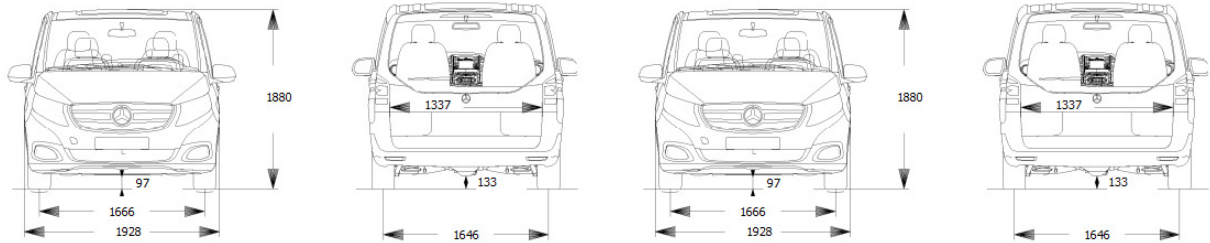
| Dimensiuni | |
|----------------------------------|--|
| Inaltime sasiu - FA - incarcat | |
| Inaltime sasiu - FA - neincarcat | |
| Inaltime sasiu - RA - incarcat | |
| Inaltime sasiu - RA - neincarcat | |



Mercedes-Benz

Date tehnice

Dimensiuni si greutati



Warning: the drawing is not to scale !